



ILLUSTRATED PARTS LIST VISUAL MERCHANDISER

COR49VMD EXPLODED VIEW

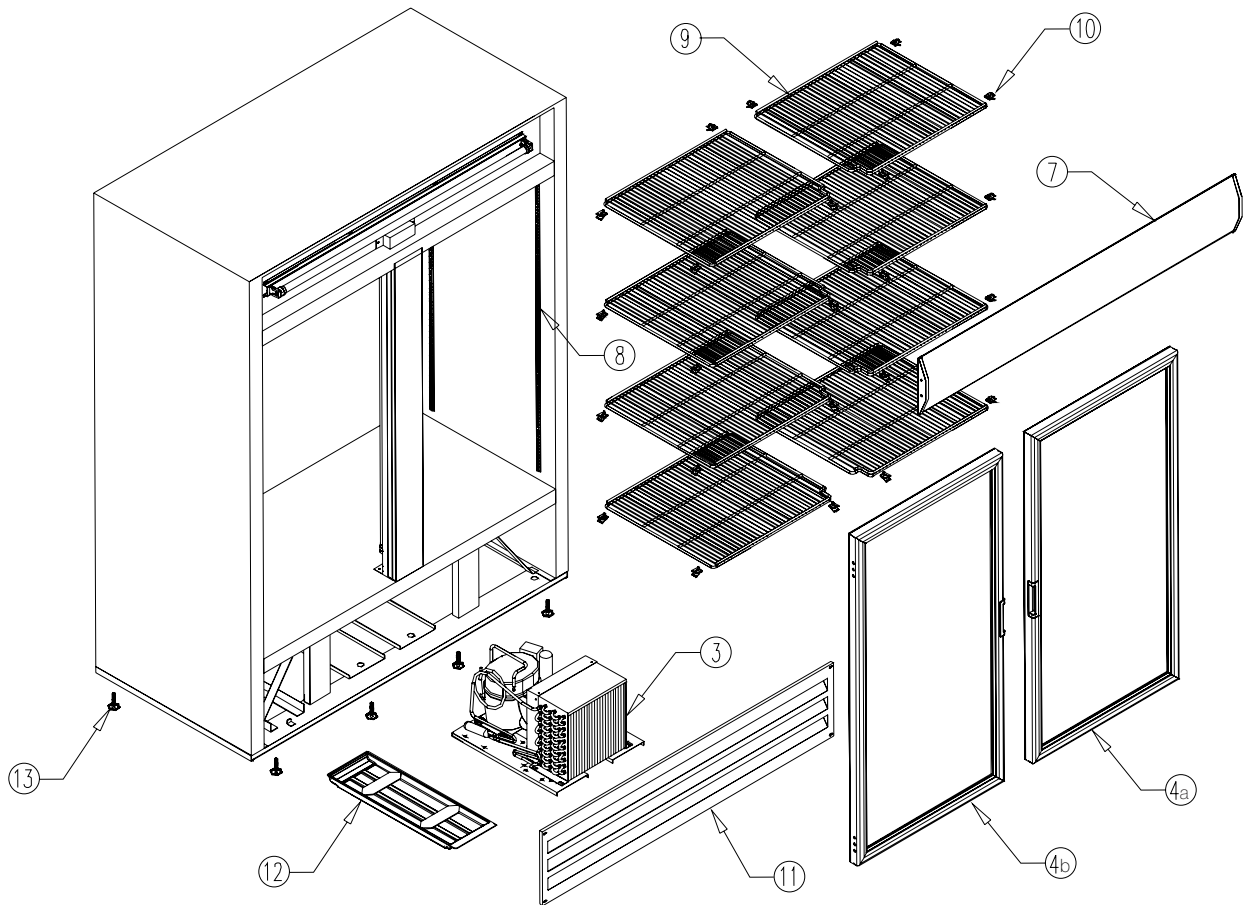


FIGURE 1

Item No.	Part No.	Name
3	FIGURE 3	Condensing unit 1/2 HP 115V/60Hz
4a	1034934	Complete door - Right
4b	1039009	Complete door - Left
7	1034935	Header sign
8	1034919	Pilaster 48"
9	1034939 1034940	Right and left flat shelf

Item No.	Part No.	Name
10	1033450	Shelf clips
11	1034941	Front grill
12	1034942	Water pan
13	1033235	Leveling legs

COR49VMD

REFRIGERATION SYSTEM

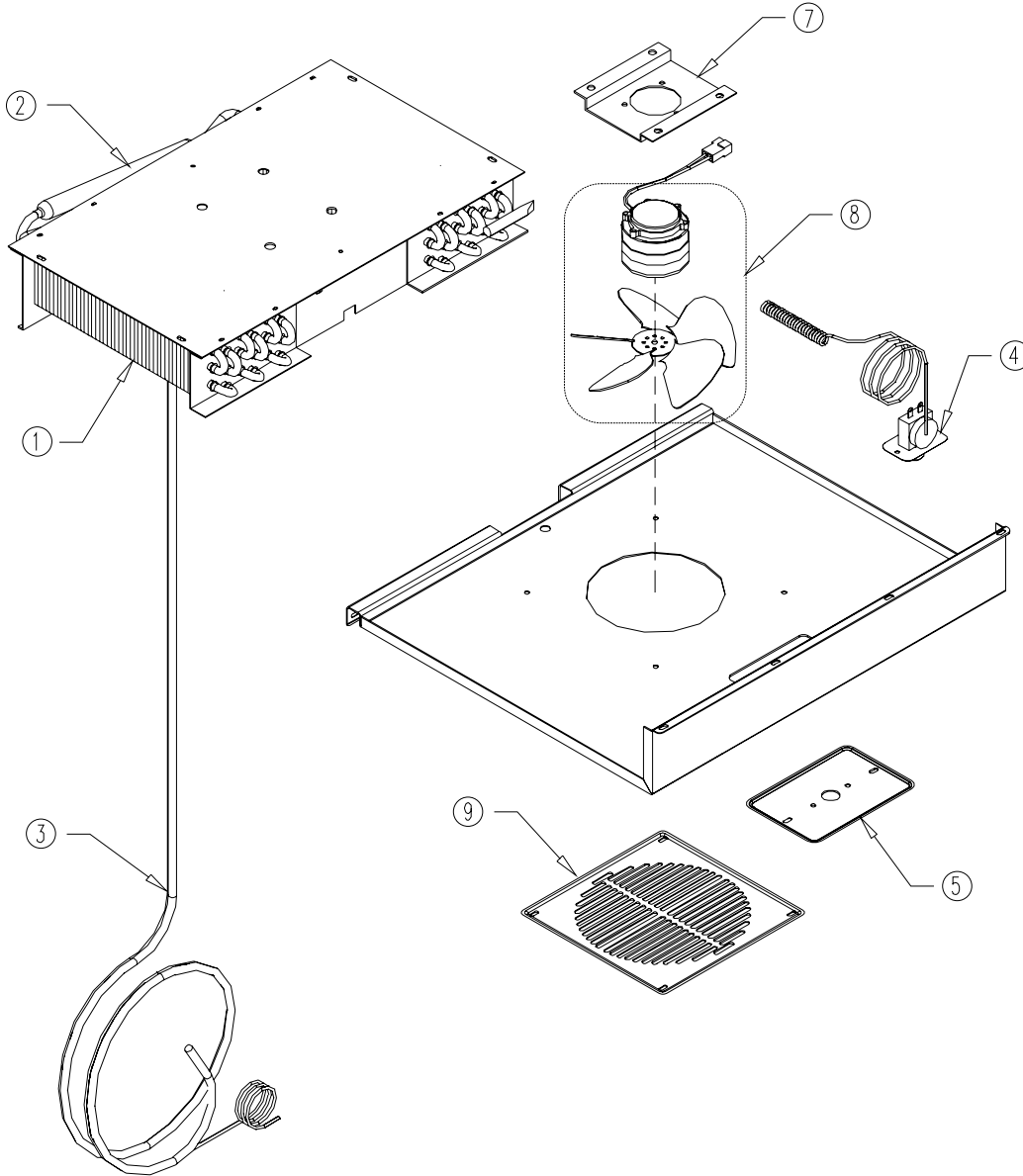


FIGURE 2

Item No.	Part No.	Name
1	1034923	Evaporator
2	1034924	Accumulator
3	1035392	Heat exchanger
4	1034925	Thermostat
5	1037654	Thermostat bracket

Item No.	Part No.	Name
7	1035042	Fan motor bracket
8	1034855	Fan motor and blade
9	1033247	Fan guard

COR49VMD

CONDENSING UNIT ASSEMBLY AND ITS COMPONENTS

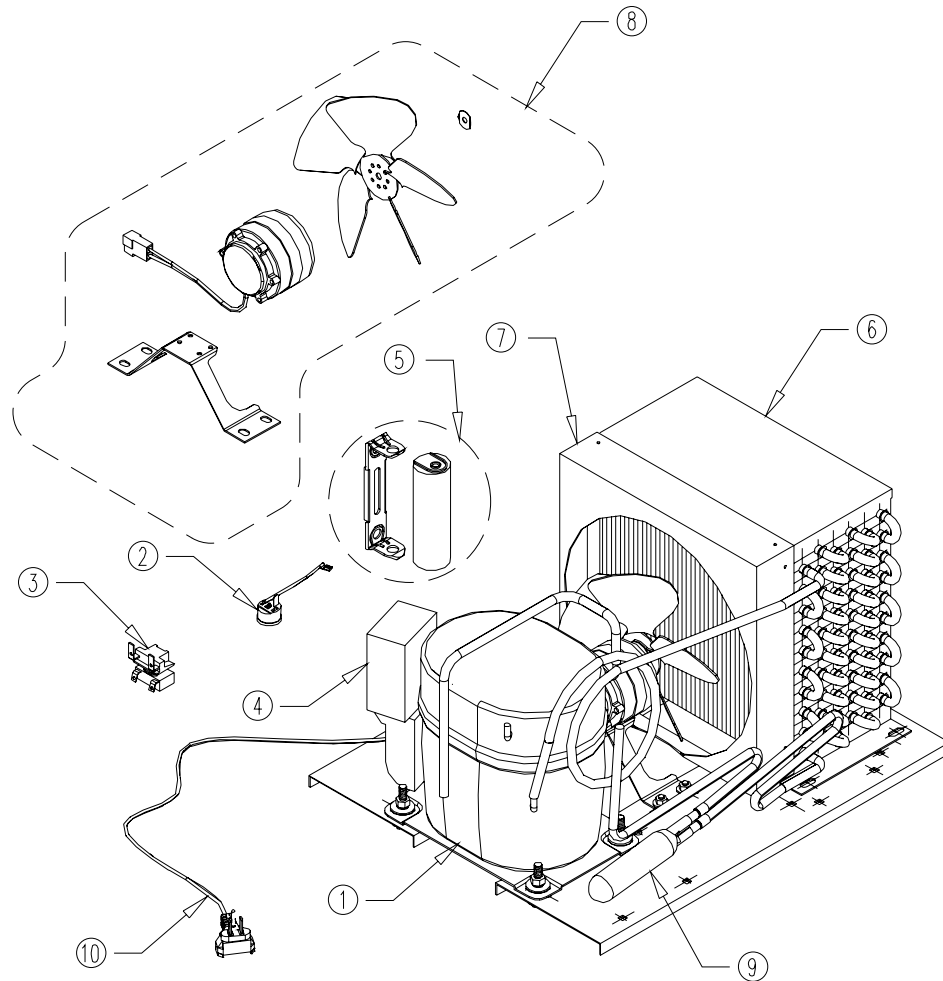


FIGURE 3

Item No.	Part No.	Name
		Complete unit 1/2 HP 115V/60Hz
1	1034926	Compressor 1/2 HP 115V/60H
2	1034927	Overload protector MRT00AFW
3	1034928	Relay 9660-191
4	1034929	Electrical box

Item No.	Part No.	Name
5	1034930	Start capacitor 189-227 μ F
6	1034931	Condenser
7	1034932	Condenser shroud
8	1034933	Condenser fan motor and blade
9	1033253	Drier
10	1033255	Power cord

COR49VMD

SWING DOOR ASSEMBLY AND ITS COMPONENTS

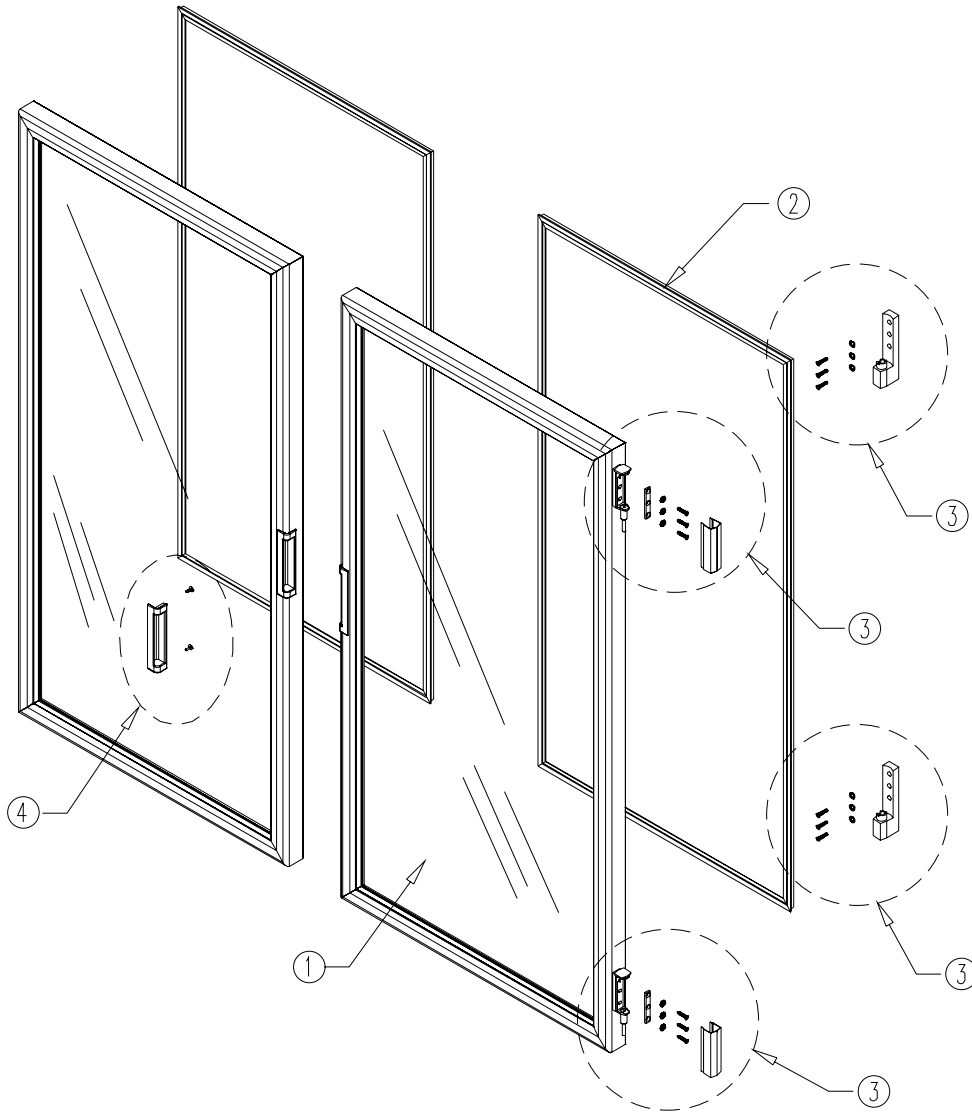


FIGURE 4

Item No.	Part No.	Name
	1034934	Complete door - Right
	1039009	Complete door - Left
1	1034913	Glass pane
2	1034914	Magnetic gasket

Item No.	Part No.	Name
3	1034891	Hinge assembly
4	1033237	Complete door handle

COR49VMD

INTERIOR AND SIGN LIGHTING SYSTEM ASSEMBLY AND ITS COMPONENTS

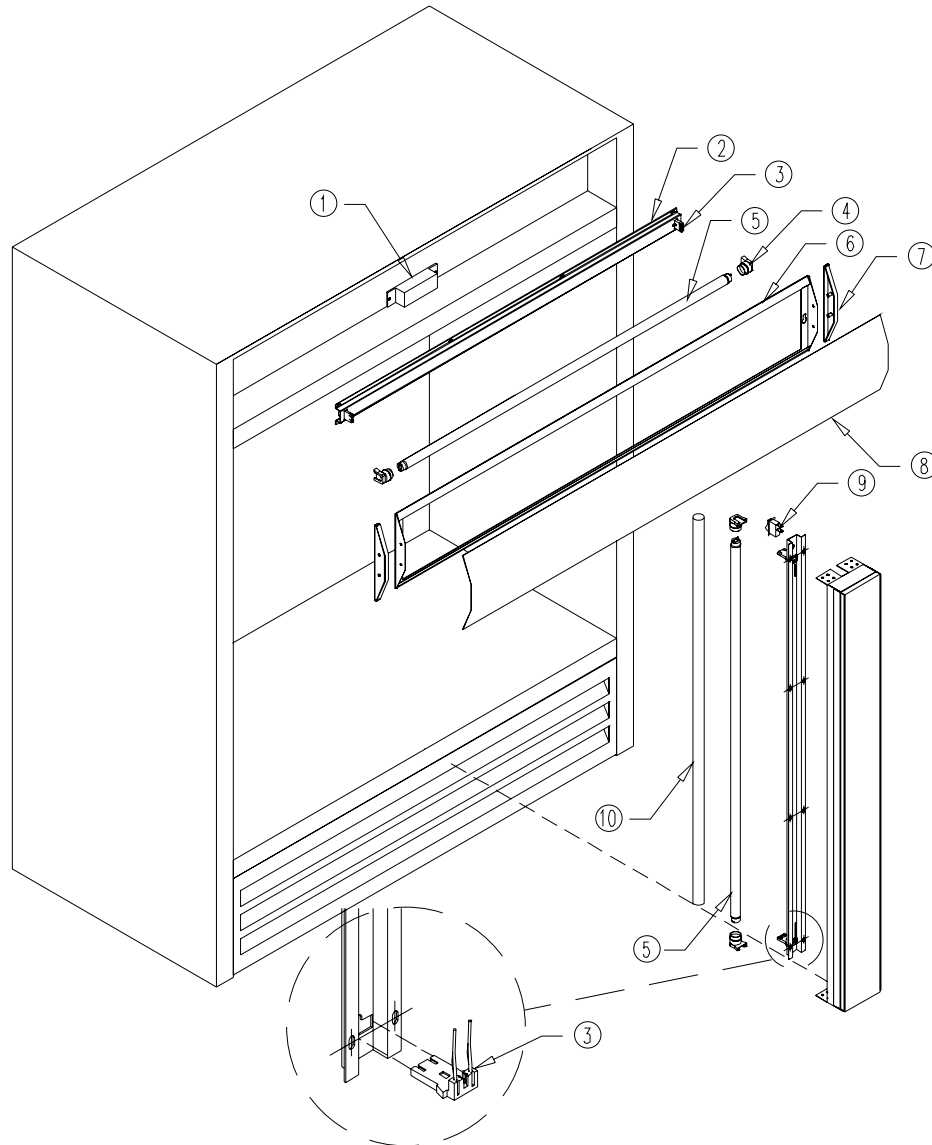


FIGURE 5

Item No.	Part No.	Name
1	1034893	Ballast QT2x32 T8/120
2	1034936	Lamp
3	1033256	Lampholder
4	1033257	Lampholder cap
5	1035400	Fluorescent tube T8 FO32/865/XP/ECO

Item No.	Part No.	Name
6	1034937	Sign frame
7	1034896	Plastic sign ends
8	1034938	Acrylic sign
9	1034886	Light switch
10	1034918	Light shield